

# STAINLESS STEEL HOT & COLD WATER MIXING UNIT - 3600M-S SERIES

SuperKlean's 300 series stainless steel hot & cold water mixing unit was specifically designed for thoroughly blending hot and cold water instantly. The unit uses "Y" style body mechanics with lift check valves and ball joint unions for superior flexibility during installation. SuperKlean's inlet center lines have the same dimensions as most of our competitors' units. Our units come with a mounting plate for easy behind the unit cleanup, hose rack for easy user access to the hose, and an optional temperature gauge for accurate temperature readings at outlet.

Part #:	Description
3600M-S	300 series stainless steel, hot & cold water wall mounted mixer-hose station
3600M-S-T	300 series stainless steel, hot & cold water wall mounted mixer-hose station with adjustable angle temperature gauge



**UNIT NOT FOR USE WITH STEAM**

## Principal Parts, Material & Rating

**Inlet / Outlet Diameter: 3/4" NPT**

**Mixer Body: 300 Series Stainless Steel**

**Globe Style Valves: 300 Series Stainless Steel**

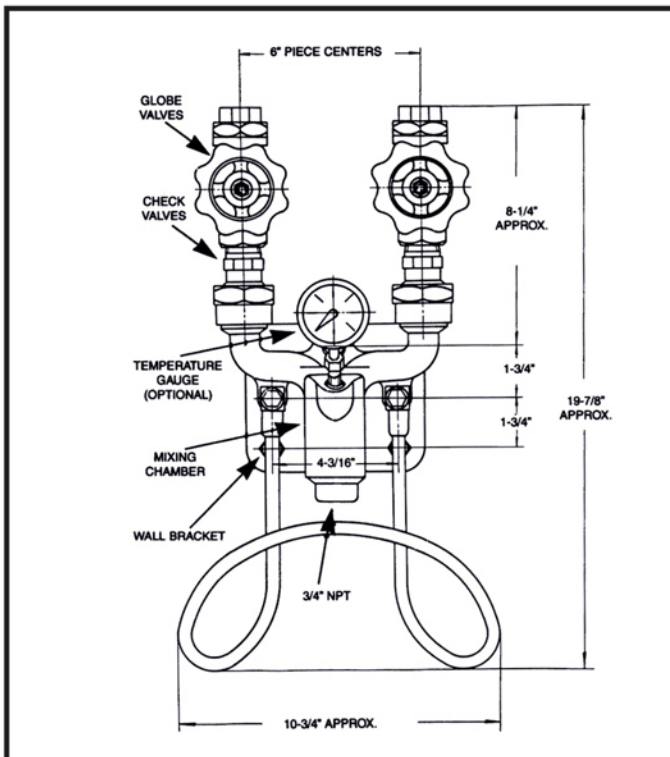
**Check Valves: 300 Series Stainless Steel**

**Temperature Gauge: (optional) Stainless Steel**

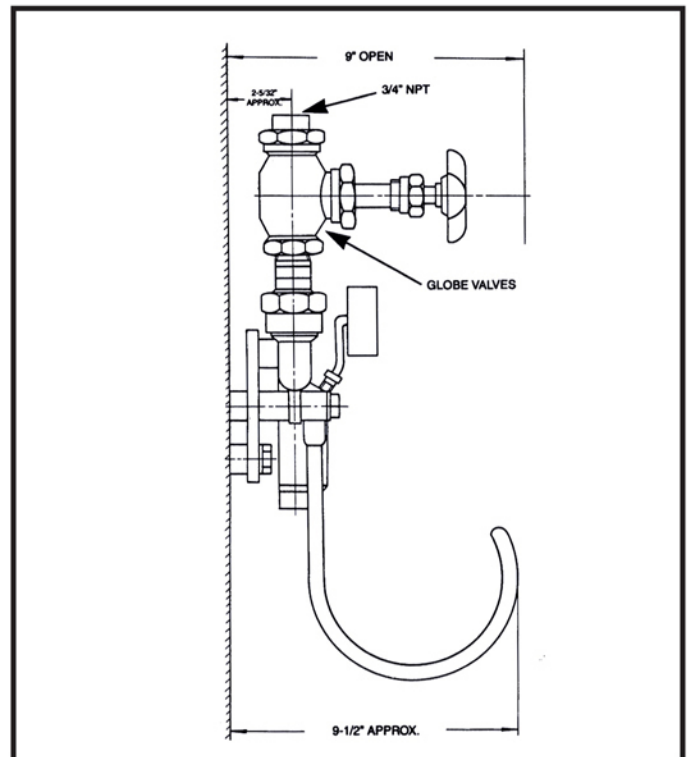
**Maximum Pressure: 150 PSI**

**Maximum Temperature: 200° F (93° C)**

**Weight: 20 Lbs.**



**FRONT VIEW**



**SIDE VIEW**